



ELSIB

**Explosion-Proof Motors
Series AZV**

2014

www.elsib.ru



Explosion-Proof Motors Series AZV (A3B)

Function

Totally enclosed explosion-proof three-phase induction motors with squirrel-cage rotor series AZV have synchronous rotational speed of 1500 RPM. They can be used to drive centrifugal pumps and coal pumps in hazardous areas in mines (for motors of U2,5 make with protection type PBExdI) or pressure boosting oil pumps (for motors of UHL1 make and protection type 1ExdIIBT4). The motors are intended for continuous duty (S1) operation from 6000 V or 10000 V, 50 Hz AC mains supply.

Field of use

Oil and oil product transportation, coal production, mining, and other industries with hazardous areas.

Operating conditions

Ambient temperatures:

- UHL1 make — from -60°C to +40°C
- U2,5 make — from +5°C to +35°C

Relative humidity:

- UHL1 make — 75% at 15°C
- U2,5 make — 80% at 27°C
- Allowed noise level 113 dB(A)
- Allowed vibration level 2,8 mm/s
- Ingress protection rating:
 - IP44 for PBExdI motors;
 - IP54 for 1ExdIIBT4 motors;
 - IP54 for terminal boxes of all motors;
 - IP20 for external fan.

Features

The motors are horizontal feet mounted with one drive shaft end. End shield mounted sleeve bearings have oil bath lubrication. Stator windings have class “F” thermosetting insulation. High-voltage terminal boxes are designed for entry of armored cable with cross-section from 25 to 400 mm². Squirrel-cage rotor windings are made from copper bars, short-circuited by end rings.

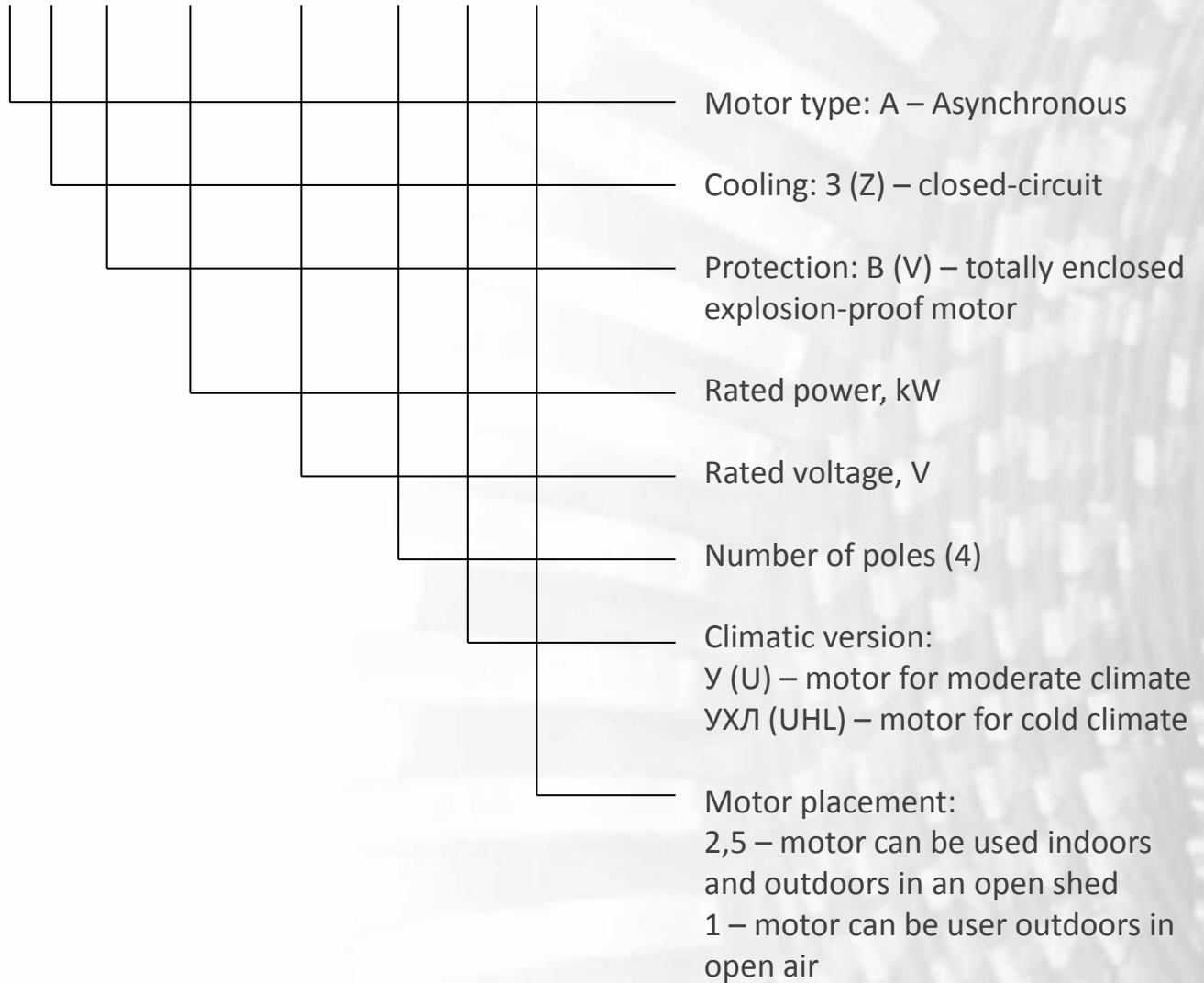
The motors can be started directly from the mains supply and allow for two cold starts or one hot start with voltage on the motor terminals between 0.8 and 1.1 of rated voltage.

Standard rotation is clockwise, counter-clockwise rotating motors can be manufactured at customer request.



Motor Designation

A 3 B - XXXX / XXXX - 4 XXX XX

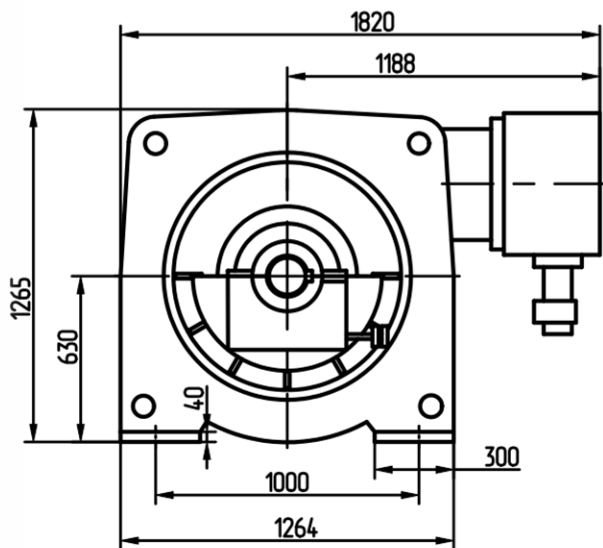
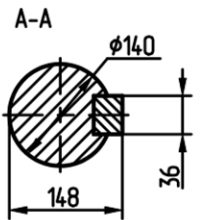
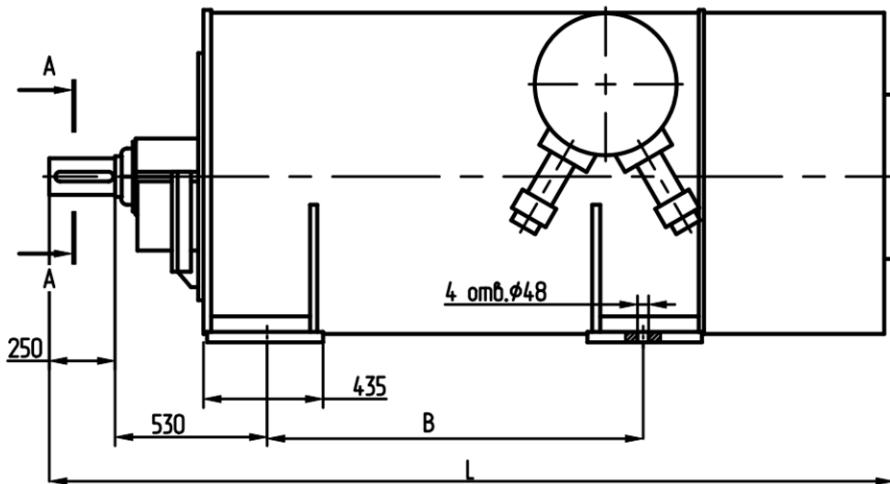


Technical Data

	Type and level of protection	Power, kW	Voltage, V	Speed, rpm	Weight, kg	Stator current, A	Sliding, %	Efficiency, %	Power factor	Max. to nominal torque ratio	Starting to nominal torque ratio	Starting to nominal current ratio
A3B-800/6000-4Y2,5	PBExdI	800	6000	1490	5780	92,8	0,67	95,4	0,87	2,4	1,3	6,0
A3B-800/6000-4УХЛ1	1ExdIIIBT4	800	6000	1489	5780	92,7	0,73	95,4	0,87	2,1	0,8	5,7
A3B-800/10000-4УХЛ1	1ExdIIIBT4	800	10000	1489	6140	55	0,73	95,2	0,88	2,1	0,8	6,0
A3B-1000/6000-4Y2,5	PBExdI	1000	6000	1490	6240	114	0,67	95,7	0,88	2,4	1,3	5,5
A3B-1000/6000-4УХЛ1	1ExdIIIBT4	1000	6000	1488	6240	116	0,8	95,7	0,88	2,0	0,8	5,3
A3B-1000/10000-4УХЛ1	1ExdIIIBT4	1000	10000	1492	6660	68,5	0,53	95,7	0,88	2,4	0,9	7,0
A3B-1250/6000-4Y2,5	PBExdI	1250	6000	1492	6700	144	0,53	96,1	0,87	2,6	1,3	6,8
A3B-1250/6000-4УХЛ1	1ExdIIIBT4	1250	6000	1492	6700	144	0,53	96,1	0,87	2,3	0,9	6,7
A3B-1250/10000-4УХЛ1	1ExdIIIBT4	1250	10000	1492	7540	85,5	0,53	96,0	0,88	2,3	0,9	6,7
A3B-1600/6000-4Y2,5	PBExdI	1600	6000	1492	7620	181	0,53	96,4	0,88	2,6	1,3	6,8
A3B-1600/6000-4УХЛ1	1ExdIIIBT4	1600	6000	1492	7620	181	0,53	96,4	0,88	2,3	0,9	6,5
A3B-1600/10000-4УХЛ1	1ExdIIIBT4	1600	10000	1492	8360	109	0,53	96,2	0,88	2,4	1,0	7,0
A3B-2000/6000-4Y2,5	PBExdI	2000	6000	1492	8440	226	0,53	96,6	0,88	2,6	1,4	7,0
A3B-2000/6000-4УХЛ1	1ExdIIIBT4	2000	6000	1492	8440	226	0,53	96,6	0,88	2,4	1,0	7,0



Series AZV Motors Drawing



Motor Type	B, mm	L, mm
A3B-800/6000-4Y2,5	800	2550
A3B-800/6000-4УХЛ1		
A3B-800/10000-4УХЛ1	900	2660
A3B-1000/6000-4Y2,5		
A3B-1000/6000-4УХЛ1	1000	2790
A3B-1000/10000-4УХЛ1		
A3B-1250/6000-4Y2,5	1250	2950
A3B-1250/6000-4УХЛ1		
A3B-1250/10000-4УХЛ1	1400	3220
A3B-1600/6000-4Y2,5		
A3B-1600/6000-4УХЛ1	1400	3220
A3B-1600/10000-4УХЛ1		
A3B-2000/6000-4Y2,5	1400	3220
A3B-2000/6000-4УХЛ1		





ELSIB

630088, Russia

Novosibirsk

ul. Sibiriakov-Gvardeitsev, 56

www.elsib.ru

Electric Motor Sales Group:

Tel. +7 (383) 298-91-17

Fax +7 (383) 227-81-57

e-mail: sales@elsib.ru